

Wi-Fi Activity Sensor



Technical Overview

General Description

The OEM Wi-Fi Activity Sensor is a vibration sensing unit with an integrated 802.11 b/g radio that can be easily programmed to work with any existing Wi-Fi network. OEM Wi-Fi sensors can be easily programmed with your Wi-Fi network's WEP or WPA(2) security via the free Wi-Fi Setup Utility (PC application) and a USB programming cable (available in the [Monnit web store](#)). User defined transmission intervals (heartbeats) and sensor threshold settings ensure that sensor data is received when needed, based on the application.

Features

- Detects vibration or sudden movement.
- Logs data if Wi-Fi network is disrupted.
- Free iMonnit basic online wireless sensor monitoring and notification system to configure sensors, view data and set alerts via SMS text and email.

(iMonnit online software is available as an OEM private / white label platform.)

Principle of Operation

Movement Detection - Activity sensor detects sudden movement or non-movement of a given device or surface, and alerts you of the change.

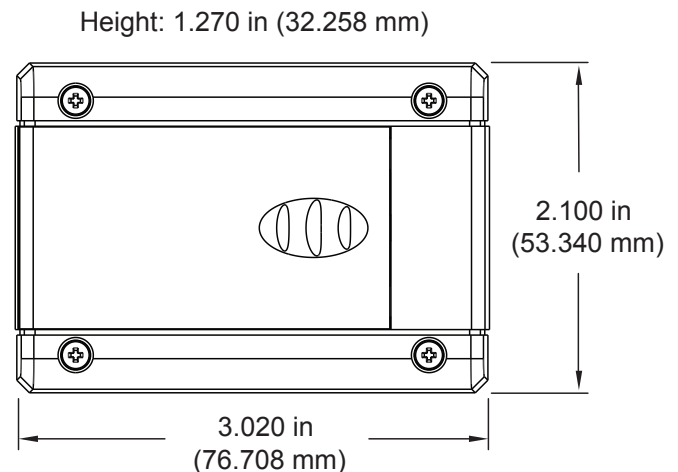
Applications

- Machinery monitoring
- Detecting movement
- Pump monitoring




OEM Wi-Fi Sensor Electronics Specifications

- Power: 2 replaceable 1.5V "AA" batteries (included)
- Communication: 802.11 b/g
(2.412 - 2.484 GHz)
- Wi-Fi Security: Open, WEP, WPA, WPA2
- Dimensions: 3.02" x 2.1" x 1.27"
- Transmission Range: Up to 250 ft. *
- Battery Life: Up to 5 years.**

* Actual range may vary depending on environment.
** Battery life is affected by sensor type, Wi-Fi security type, distance from Wi-Fi router, reporting frequency and other variables.



Technical Specifications

Networking Standards	IEEE 802.11 b/g
Frequency Band	2.412 - 2.484 GHz
Wi-Fi Security Standards	Open, WEP, WPA, WPA2
Wi-Fi Security Programming	Via PC software using USB cable. (Can be changed through online software.)
Network Settings	Auto DHCP/DNS or Static
Data Logging	Standard - On Wi-Fi disruption, unit will log the first 50 readings and transmit when Wi-Fi connection is re-established. Premiere - Unit can record up to 50,000 readings and transmit when Wi-Fi is available.
Power consumption	4uA sleep, 35mA active RX, 180mA TX (at +12dBm)
Battery Life	Up to 5 years depending on sensor type, Wi-Fi security, distance from Wi-Fi router, reporting frequency and other variables. (Testing surpassed 90,000 transmissions until battery depletion.)
Wi-Fi Data Rate	Auto configures to best rate for maximum range.
Wireless Range	Up to 250 ft. device range (typical to standard Wi-Fi devices).
Electronics Operating Temperature	Using Alkaline Batteries: -18°C to +55°C (0°F to +130°F) Using Lithium Batteries: -40°C to +85°C (-40°F to +185°F)
LED Light	Status / activity
Vibration Sensitivity	0.05g – 0.10g / 10g / 35g / 60g / 150g
Certifications	   FCC ID: T9J-RN171. IC: RSS-210 low-power communication device. CE ID: 0681.

* Hardware can not withstand negative voltage. Please take care when connecting a power device.

** At temperatures above 100°C, it is possible for the board circuitry to lose programmed memory.

For more product information, to get a quote, or to place an order, please contact our sales department at 801-561-5555. Visit us on the web at www.oemsensors.com.

OEMSensors.com | 7304 South Cottonwood, Suite #204 | Midvale, Utah 84047 | 801-561-5555 | www.oemsensors.com